



Manual Worm Gear Operator

MAX-GEAR — worm gear operators are designed to be used as 1/4-turn actuators. For applications on ball, butterfly, plug valves and dampers requiring a self-locking mechanism.

Torque range 1327 in-lb through 70800 in-lb



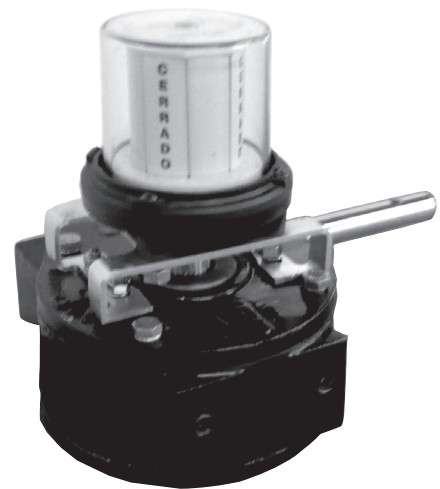
**Gear Operator
Single Stage**



**Gear Operator
Double Stage**

DESIGN FEATURES

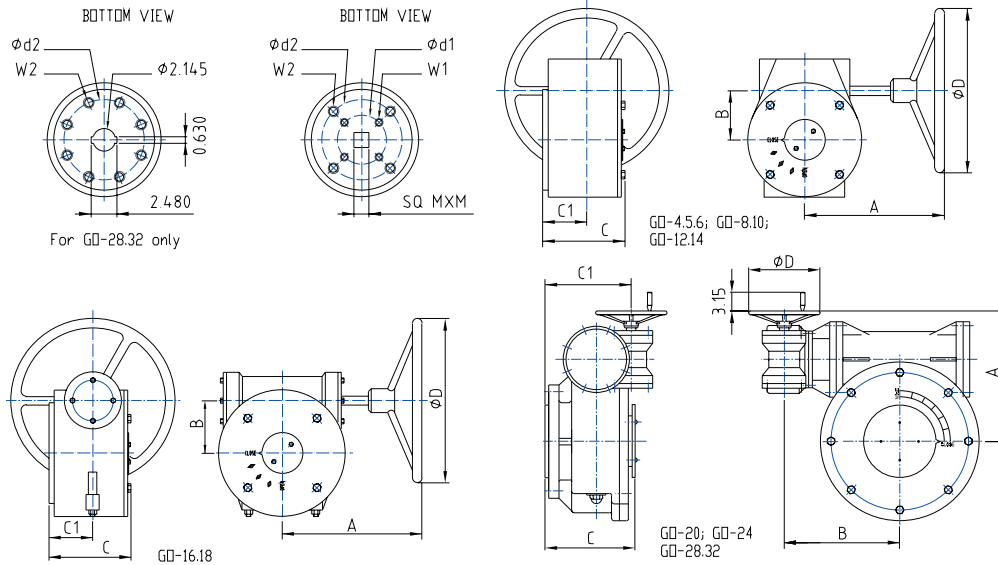
- Fully lubricated
- Long life reliability
- Precision machining
- Epoxy coating housing
- Weather proof housing
- Grease fittings standard
- Large diameter input shafts
- Mounting dimensions to ISO 5211
- External fully adjustable end stops
- Rugged compact heavy duty construction



Optional High Visibility Indicator

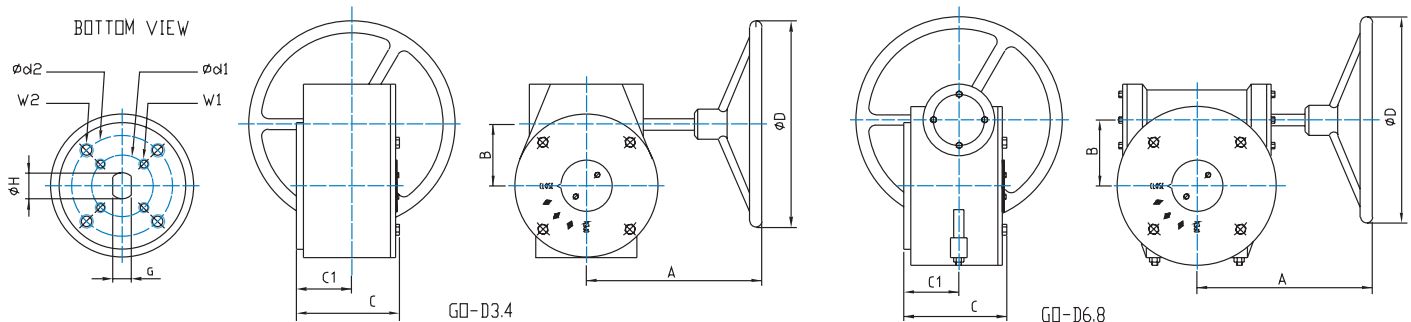
MAX-GEAR simplifies gear mounting, eliminating costly key-way machining, all sizes utilize ISO square drives or Double D drives

Manual Worm Gear Operators - ISO Square Female Drive



Model #	Ref. #	Gear Ratio	A	B	C	C1	D	M	Mounting Pad 1			Mounting Pad 2			Torque In-Lbs	Weight Lbs
									d1	W1	ISO	d2	W2	ISO		
GO-4.5.6	3DB-015	24:1	6.14	1.89	2.52	1.26	5.91	0.551	1.97	1/4-20UNC	F05	2.76	5/16-18UNC	F07	1327	7
GO-8.10	3DB-050	30:1	9.61	2.68	3.15	1.46	11.81	0.866	2.76	5/16-18UNC	F07	4.02	3/8-16UNC	F10	4425	14.5
GO-12.14	3DB-120	50:1	9.17	3.23	3.23	1.61	11.81	0.866	2.76	5/16-18UNC	F07	4.02	3/8-16UNC	F10	10620	20
GO-16.18	3DB-180	80:1	11.18	4.65	4.80	2.40	15.75	1.063	4.02	3/8-16UNC	F10	5.51	5/8-11UNC	F14	15930	51
GO-20	3D-30/250	560:1	10.83	6.57	5.12	4.96	11.81	1.417	4.02	3/8-16UNC	F10	5.51	5/8-11UNC	F14	22125	73
GO-24	3D-30/400	560:1	11.26	7.68	5.43	5.59	15.75	1.417	4.92	1/2-13UNC	F12	6.50	3/4-10UNC	F16	35400	110
GO-28.32	3D-60/800	704:1	14.25	9.53	6.81	6.30	16.73	n/a	n/a	n/a	n/a	10.0	M16-2.0	F25	70800	188

Manual Worm Gear Operators - Double D Female Drive



Model #	Ref. #	Gear Ratio	A	B	C	C1	D	G	H	Mounting Pad 1			Mounting Pad 2			Torque In-Lbs	Weight Lbs
										d1	W1	ISO	d2	W2	ISO		
GO-D3.4	3DB-120	50:1	9.17	3.23	3.23	1.61	11.81	0.67	1.19	2.76	5/16-18UNC	F07	4.02	3/8-16UNC	F10	10620	20
GO-D6.8	3DB-180	80:1	11.18	4.65	4.80	2.40	15.75	1.025	1.78	4.02	3/8-16UNC	F10	5.51	5/8-11UNC	F14	15930	51

Materials of Major Components

- Housing, Cover: Ductile Iron
- Worm, Gear Wheel: WCB
- Gear Shaft: Forged Steel
- Hand Wheel: Cast Iron

Options

- Locking Device
- Adjustable Memory Stops in Open Position 45° - 90°
- Chain Wheel Operators
- Flow Plan Indicators for Multi Port Valves
- Special Coatings



Max-Seal, Inc.
4815 West 5th St.
Lumberton, NC 28358

P.O. Box 1293
Lumberton, NC 28359
Website: www.maxsealinc.com

Tel: (910) 738-2866
Fax: (910) 739-1733
E-Mail: sales@maxsealinc.com